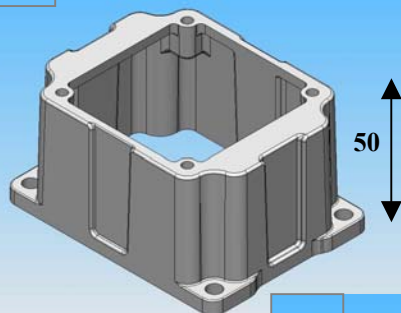
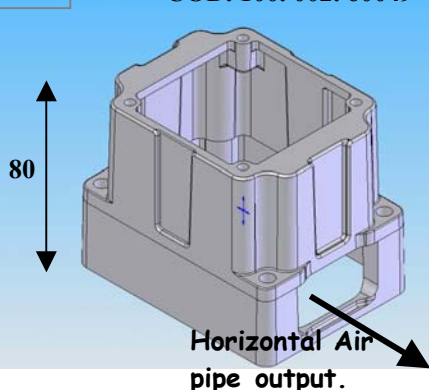
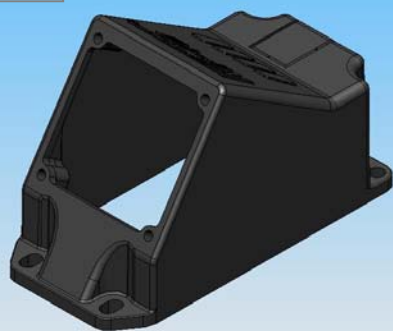


1 COD. 100. 002. 60030**2** COD. 100. 002. 60049

New brackets for KIP – AIR cab controls.

3

COD. 100. 002. 60067

The range of brackets for KIP-AIR cab control is now expanding.

Two new versions have been added increasing versatility and mounting options of the KIP-AIR cab controls within the most common trucks available on the market. Nowadays they allow new opportunities for those cabins where the current bracket available (pic.3) could not be fitted.

As shown in the pictures 1 and 2, the two new mounting towers differ from each other just because of different height.

Thus, you can choose between two different mounting options: air pipes going out vertically (pic.1) or horizontally (pic.2).

The new brackets are made out of black high-resistant plastic and already include mounting screws.

The part numbers are:

- **Cod. : 100.002.60030** : KIT SUPP. PLAS. MNT VERT. **H=50** KIP-AIR
- **Cod. : 100.002.60049** : KIT SUPP. PLAS. MNT VERT. **H=80** KIP-AIR